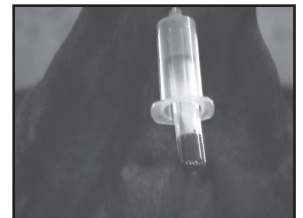
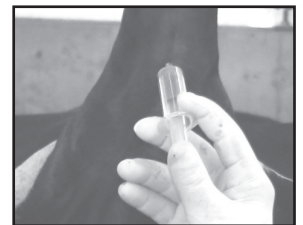
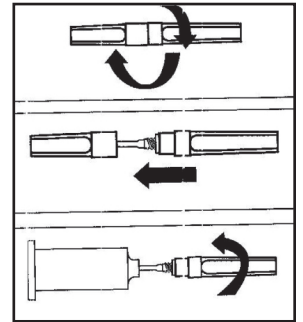


DG29™ Blood Collection Instructions

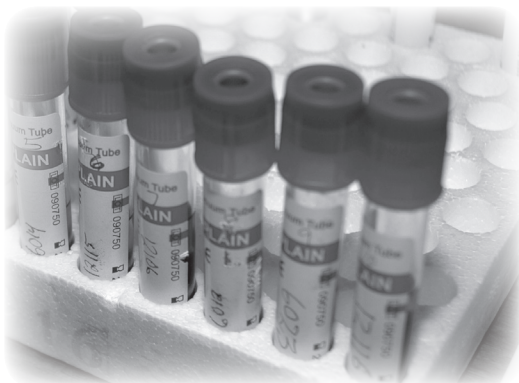
1. Remove the colored plastic cover from the bottom of the needle. Insert the bottom end of the needle through the small, threaded opening of the needle holder and twist to lock in place. The tip of the needle (with clear cover) should be outside the holder as shown in the image, at right.
2. Restrain the animal and lift the tail. Locate the vein under the tail. With an alcohol pad, disinfect a blood collection site.
3. Remove the plastic cover from the needle tip. Insert the exposed needle into the tail vein.
4. With the needle in the vein, push the blood tube inside the needle holder and onto the bottom end of the needle with the heel of your hand. If the needle has punctured the vein, blood should flow into the tube.
5. Fill the tube until blood stops flowing near the top of the tube. At least 2 cc of blood must be collected to complete the test.
6. If it is necessary to remove the needle from the animal to re-position, first remove the blood tube from the end of the needle in the holder. If not, the blood tube will lose vacuum making it impossible to draw blood into the tube.
7. After collection, remove the needle from the animal. Dispose of it properly by covering and discarding in a biohazard container approved for disposal according to local, regional and national regulations.
8. Label the tube immediately with the tube number and the animal's identification number. Also include this information on the DG29 Sample Submission Form.



IMPORTANT:

A new needle and blood tube must be used for each animal. Needle holders can be re-used.

DG29 Shipping Procedures



1. Place blood tubes into one of the provided protective containers.
2. Put the protective container(s) into a box and seal.
3. On the outside of the box, write "Exempt Animal Specimen."
4. Address the box with the appropriate lab's address:

AgSource Laboratories
Menomonie
403 Cedar Avenue W
Menomonie, WI 54751

AgSource Laboratories
Jerome
150 Bridon Way
Jerome, ID 83338

A Product of

CONCEPTION

Animal Reproduction Technologies
www.conception-animal.com

Available Through



**Cooperative Resources
International**

Genex 888/333-1783 • AgSource 800/236-0097
www.crinet.com